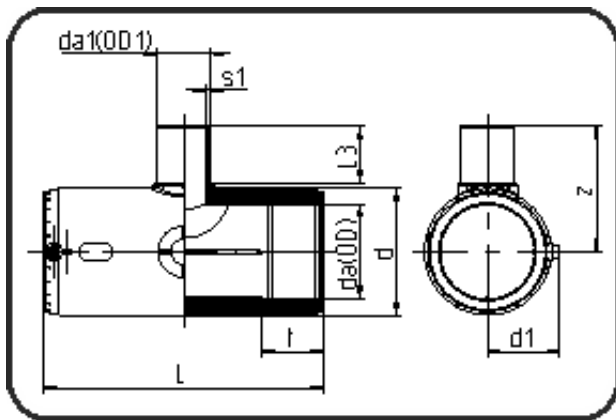


E-Schweissbare Fittings



Code: 175

- E-T-Stück reduziert
- MOP Wasser 16bar / Gas 10bar
- W/P-TW
- formgespritzt
- Heizwendel-Schweissung
- PE 100-RC schwarz

| Dimension | Code | Detail | Gewicht |
|-----------|----------------|------------------|---------|
| 125/90 | 70.175.1290.11 | 125/90 SDR 17-11 | 3.47 |

| | Einheit | Nominale | Tol+ | Tol- |
|---------|---------|----------|------|------|
| da(OD) | mm | 125 | 0.80 | 0.00 |
| L | mm | 347,5 | 3.00 | 0.00 |
| L3 | mm | 91 | 1.50 | 1.50 |
| d | mm | 170 | 1.00 | 1.00 |
| d1 | mm | 93,1 | 1.50 | 1.50 |
| t | mm | 86 | 1.50 | 1.50 |
| s1 | mm | 8,2 | 1.00 | 0.00 |
| da(OD1) | mm | 90 | 0.60 | 0.00 |
| z | mm | 192 | 2.25 | 2.25 |