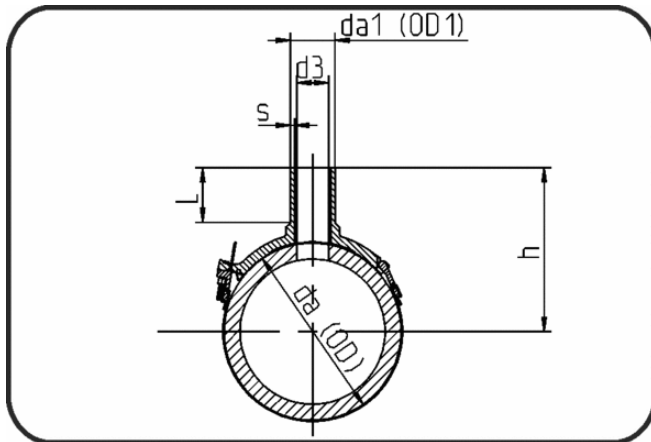


Schellen



Code: 288

- **Stutzenschelle**
- MOP Wasser 16bar / Gas 10bar
- W/P-TW
- formgespritzt
- **Heizwendel-Schweissung**
- **PE 100-RC schwarz**

Dimension	Code	Detail	da(OD) mm	da(OD1) mm	d3 mm	s mm	L mm	Gewicht
90/63	70.288.9063.11	90/63 SDR 17 - 11	90	63	45	5,8	76	0.26
110/63	70.288.1163.11	110/63 SDR 17 - 11	110	63	45	5,8	77	0.36
125/63	70.288.1263.11	125/63 SDR 17 - 11	125	63	45	5,8	77	0.32
140/63	70.288.1463.11	140/63 SDR 17 - 11	140	63	45	5,8	77	0.32
160/63	70.288.1663.11	160/63 SDR 17 - 11	160	63	45	5,8	77	0.51
160/90	70.288.1690.11	160/90 SDR 17 - 11	160	90	65	8,2	92	0.88
160/110	70.288.1611.11	160/110 SDR 17 - 11	160	110	84	10	98	0.95
180/63	70.288.1863.11	180/63 SDR 17 - 11	180	63	45	5,8	78	0.49
180/90	70.288.1890.11	180/90 SDR 17 - 11	180	90	65	8,2	92	1.01
180/110	70.288.1811.11	180/110 SDR 17 - 11	180	110	84	10	98	1.10
225/63	70.288.2263.11	225/63 SDR 17 - 11	225	63	45	5,8	77	0.44
225/90	70.288.2290.11	225/90 SDR 17 - 11	225	90	65	8,2	92	0.94
225/110	70.288.2211.11	225/110 SDR 17 - 11	225	110	84	10	97	1.02
250/63	70.288.2563.11	250/63 SDR 17 - 11	250	63	45	5,8	77,5	0.62
250/75	70.288.2575.11	250/75 SDR 17 - 11	250	75	55	6,8	86	0.73
250/90	70.288.2590.11	250/90 SDR 17 - 11	250	90	65	8,2	92	0.99
250/110	70.288.2511.11	250/110 SDR 17 - 11	250	110	84	10	98	1.07
280/63	70.288.2863.11	280/63 SDR 17 - 11	280	63	45	5,8	77	0.55
280/90	70.288.2890.11	280/90 SDR 17 - 11	280	90	65	8,2	92	1.04
280/110	70.288.2811.11	280/110 SDR 17 - 11	280	110	84	10	98	1.07
315/63	70.288.3163.11	315/63 SDR 17 - 11	315	63	45	5,8	77	0.48
315/90	70.288.3190.11	315/90 SDR 17 - 11	315	90	65	8,2	92	1.06
315/110	70.288.3111.11	315/110 SDR 17 - 11	315	110	84	10	98	1.19
355/63	70.288.3563.11	355/63 SDR 17 - 11	355	63	45	5,8	77	0.62
355/90	70.288.3590.11	355/90 SDR 17 - 11	355	90	65	8,2	92	1.06
355/110	70.288.3511.11	355/110 SDR 17 - 11	355	110	84	10	98	1.19