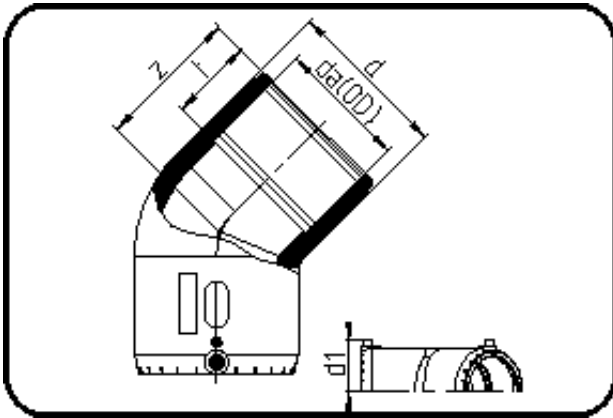


E-Schweissbare Fittings



Code: 170

- E-Winkel 45°
- MOP Wasser 16bar / Gas 10bar
- W/P-TW
- formgespritzt
- **Heizwendel-Schweissung**
- **PE 100-RC schwarz**

| Dimension | Code | Detail | Gewicht |
|-----------|----------------|--------------|---------|
| 75 | 70.170.0075.11 | 75 SDR 17-11 | 0.49 |

| | Einheit | Nominale | Tol+ | Tol- |
|--------|---------|----------|------|------|
| da(OD) | mm | 75 | 0.00 | 0.00 |
| d | mm | 97 | 0.75 | 0.75 |
| d1 | mm | 66 | 1.50 | 1.50 |
| t | mm | 68,5 | 2.25 | 2.25 |
| z | mm | 94 | 2.25 | 2.25 |