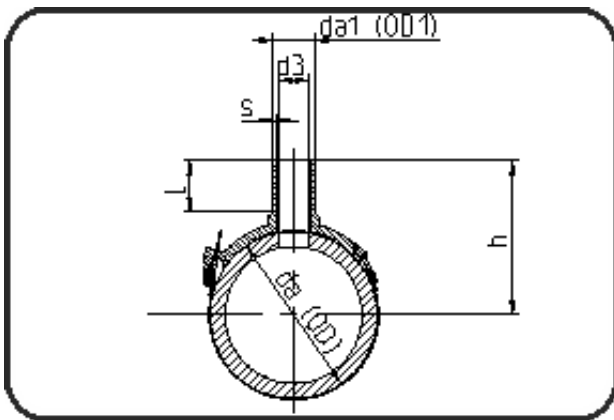


## Schellen



Code: 288

- **Stutzenschelle**
- MOP Wasser 16bar / Gas 10bar
- W/P-TW
- formgespritzt
- **Heizwendel-Schweissung**
- **PE 100-RC schwarz**

| Dimension | Code           | Detail              | Gewicht |
|-----------|----------------|---------------------|---------|
| 280/110   | 70.288.2811.11 | 280/110 SDR 17 - 11 | 1.07    |

|         | Einheit | Nominale | Tol+ | Tol- |
|---------|---------|----------|------|------|
| da(OD)  | mm      | 280      | 0.00 | 0.00 |
| L       | mm      | 98       | 1.00 | 1.00 |
| b       | mm      | 305      | 0.00 | 0.00 |
| s       | mm      | 10       | 1.10 | 0.00 |
| alph    | [°]     | 30       | 0.00 | 0.00 |
| d3      | mm      | 84       | 0.00 | 0.00 |
| h       | mm      | 251      | 0.00 | 0.00 |
| da(OD1) | mm      | 110      | 0.70 | 0.00 |