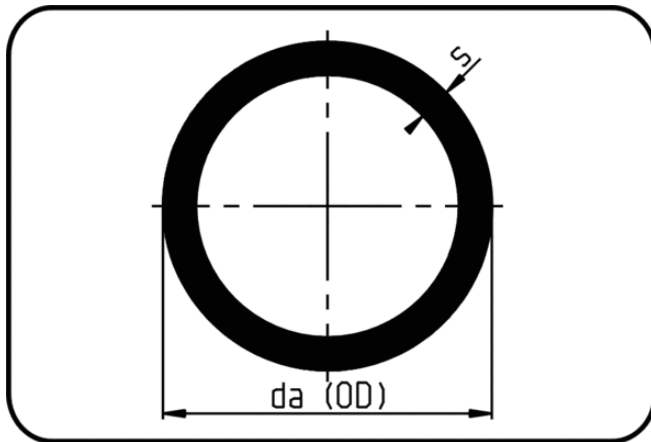


Rohre



Code: 758

- Rohr 5,8m
- extrudiert
- PE 100 schwarz

Verfügbarkeit, Mindestbestellmenge und Lieferzeit auf Anfrage.

Dimension	Code	Detail	da(OD) mm	s mm	Gewicht
1600	25.758.1600.41	1600X39,2 SDR41 ISO S-20	1.600	39,2	194.00
1800	25.758.1800.41	1800X44 SDR41 ISO S-20	1.800	44	245.00
2000	25.758.2000.41	2000X48,9 SDR41 ISO S-20	2.000	48,9	302.00
2250	25.758.2250.41	2250X55 SDR41 ISO S-20	2.250	55	382.00
1600	25.758.1600.33	1600X49 SDR33 ISO S-16	1.600	49	241.00
1800	25.758.1800.33	1800X55,1 SDR33 ISO S-16	1.800	55,1	305.00
2000	25.758.2000.33	2000X61,2 SDR33 ISO S-16	2.000	61,2	376.00
2250	25.758.2250.33	2250X68,9 SDR33 ISO S-16	2.250	70	476.00
2500	25.758.2500.33	2500X76,5 SDR33 ISO S-16	2.500	77,7	587.00
1600	25.758.1600.26	1600X61,2 SDR26 ISO S-12,5	1.600	61,2	298.00
1800	25.758.1800.26	1800X68,8 SDR26 ISO S-12,5	1.800	68,8	377.00
2000	25.758.2000.26	2000X76,4 SDR26 ISO S-12,5	2.000	76,4	465.00
2250	25.758.2250.26	2250X86 SDR26 ISO S-12,5	2.250	86	589.00
2500	25.758.2500.26	2500X95,5 SDR26 ISO S-12,5	2.500	95,6	727.00
1600	25.758.1600.17	1600X94,8 SDR17 ISO S-8	1.600	94,8	451.00
1800	25.758.1800.17	1800X106,6 SDR17 ISO S-8	1.800	106,6	583.00
2000	25.758.2000.17	2000X118,4 SDR17 ISO S-8	2.000	118,4	720.00
2250	25.758.2250.17	2250X133,3 SDR17 ISO S-8	2.250	133,3	910.00
2500	25.758.2500.17	2500X148,1 SDR17 ISO S-8	2.500	148,1	1,124.00
1600	25.758.1600.11	1600X145,2 SDR11 ISO S-5	1.600	145,2	680.00