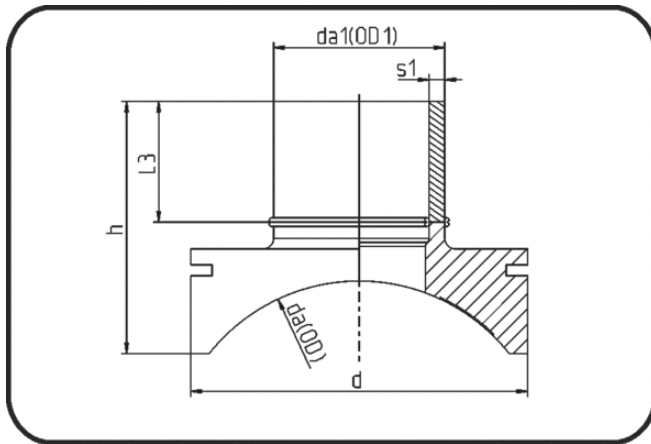


Schellen



Code: 289

- **Stutzenschelle System Topload**

- mechanisch gefertigt
- **Heizwendel-Schweissung**
- **PE 100-RC schwarz**

Andere MOP auf Anfrage. Spannvorrichtung siehe bitte unter Schweisstechnik.

| Dimension | Code | Detail | da(OD) mm | da(OD1) mm | h mm | d mm | s1 mm | L3 mm | Gewicht |
|-----------|----------------|-------------------------|--------------|---------------|---------|---------|----------|----------|---------|
| 355/90 | 70.289.3590.09 | 355/90 SDR9 MOP 16 bar | 355 | 90 | 176 | 200 | 10,1 | 94 | 1.27 |
| 355/110 | 70.289.3511.09 | 355/110 SDR9 MOP 16 bar | 355 | 110 | 194 | 250 | 12,3 | 97 | 2.16 |
| 355/125 | 70.289.3512.09 | 355/125 SDR9 MOP 16 bar | 355 | 125 | 209 | 280 | 14 | 102 | 2.99 |
| 400/90 | 70.289.4090.09 | 400/90 SDR9 MOP 16 bar | 400 | 90 | 173 | 200 | 10,1 | 94 | 1.25 |
| 400/110 | 70.289.4011.09 | 400/110 SDR9 MOP 16 bar | 400 | 110 | 189 | 250 | 12,3 | 97 | 2.09 |
| 400/125 | 70.289.4012.09 | 400/125 SDR9 MOP 16 bar | 400 | 125 | 204 | 280 | 14 | 102 | 2.87 |
| 450/90 | 70.289.4590.09 | 450/90 SDR9 MOP 16 bar | 450 | 90 | 171 | 200 | 10,1 | 94 | 1.22 |
| 450/110 | 70.289.4511.09 | 450/110 SDR9 MOP 16 bar | 450 | 110 | 186 | 250 | 12,3 | 97 | 2.04 |
| 450/125 | 70.289.4512.09 | 450/125 SDR9 MOP 16 bar | 450 | 125 | 199 | 280 | 14 | 102 | 3.31 |
| 500/90 | 70.289.5090.09 | 500/90 SDR9 MOP 16 bar | 500 | 90 | 168 | 200 | 10,1 | 94 | 1.21 |
| 500/110 | 70.289.5011.09 | 500/110 SDR9 MOP 16 bar | 500 | 110 | 182 | 250 | 12,3 | 97 | 1.99 |
| 500/125 | 70.289.5012.09 | 500/125 SDR9 MOP 16 bar | 500 | 125 | 195 | 280 | 14 | 102 | 2.71 |
| 560/90 | 70.289.5690.09 | 560/90 SDR9 MOP 16 bar | 560 | 90 | 168 | 200 | 10,1 | 94 | 1.13 |
| 560/110 | 70.289.5611.09 | 560/110 SDR9 MOP 16 bar | 560 | 110 | 182 | 250 | 12,3 | 97 | 1.87 |
| 560/125 | 70.289.5612.09 | 560/125 SDR9 MOP 16 bar | 560 | 125 | 195 | 280 | 14 | 102 | 2.76 |
| 630/90 | 70.289.6390.09 | 630/90 SDR9 MOP 16 bar | 630 | 90 | 166 | 200 | 10,1 | 94 | 1.23 |
| 630/110 | 70.289.6311.09 | 630/110 SDR9 MOP 16 bar | 630 | 110 | 176 | 250 | 12,3 | 97 | 2.04 |
| 630/125 | 70.289.6312.09 | 630/125 SDR9 MOP 16 bar | 630 | 125 | 188 | 280 | 14 | 102 | 2.68 |