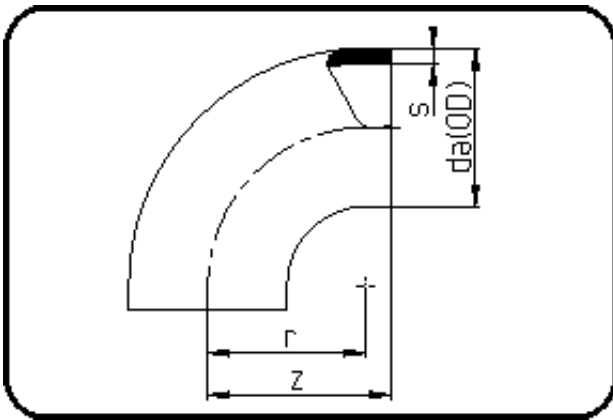


## Fittings



Code: 001

- Bogen 90°
- kurze Schenkel
- formgespritzt
- **Stumpf+IR-Schweissung**
- PVDF natur

| Dimension | Code           | Detail                 | Gewicht |
|-----------|----------------|------------------------|---------|
| 180       | 30.001.0180.21 | 180X8,6 SDR21 ISO S-10 | 2.87    |

|        | Einheit | Nominale | Tol+ | Tol- |
|--------|---------|----------|------|------|
| da(OD) | mm      | 180      | 1.10 | 0.00 |
| r      | mm      | 175      | 0.00 | 0.00 |
| s      | mm      | 8,6      | 1.10 | 0.00 |
| z      | mm      | 200      | 3.00 | 3.00 |