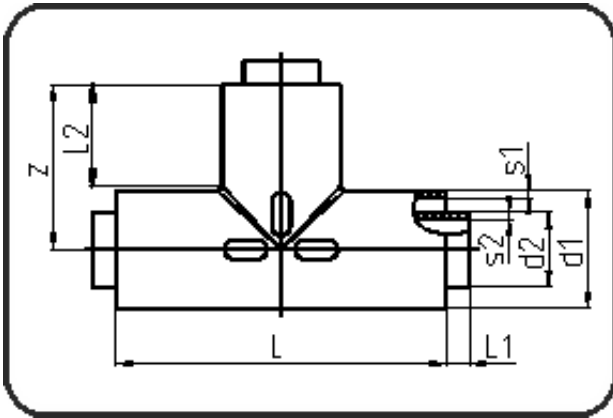


PE 100-RC Poly-Flo



Code: 192

- Poly-Flo T-Stück
- formgespritzt
- **Simultan + Kaskadenschweissung**
- PE 100-RC schwarz

Dimension	Code	Detail	Gewicht
50/32	70.192.5032.71	50/32 SDR17/11	0.17

	Einheit	Nominale	Tol+	Tol-
L	mm	146	6.00	6.00
L1	mm	7	1.50	1.50
L2	mm	43	2.00	2.00
d1	mm	50	0.50	0.00
s2	mm	3	0.40	0.00
d2	mm	32	0.30	0.00
s1	mm	3	0.40	0.00
z	mm	73	4.50	4.50