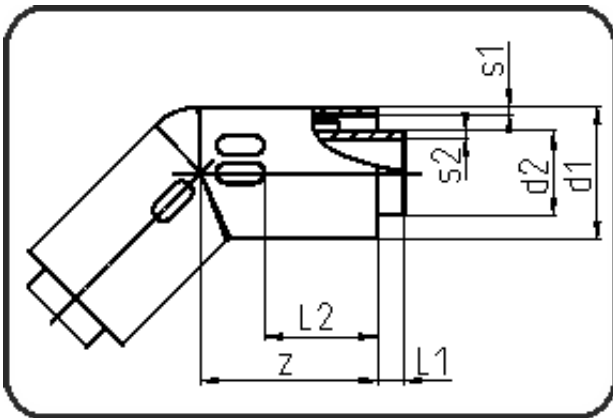


## PE 100-RC Poly-Flo



Code: 191

- Poly-Flo Winkel 45°
- formgespritzt
- **Simultan + Kaskadenschweissung**
- PE 100-RC schwarz

Dimension	Code	Detail	Gewicht
90/63	70.191.9063.71	90/63 SDR17/11	0.45

	Einheit	Nominale	Tol+	Tol-
L1	mm	10	1.00	1.00
L2	mm	53	3.00	3.00
d1	mm	90	0.90	0.00
s2	mm	5,8	0.70	0.00
d2	mm	63	0.60	0.00
s1	mm	5,4	0.70	0.00
z	mm	77	3.00	3.00