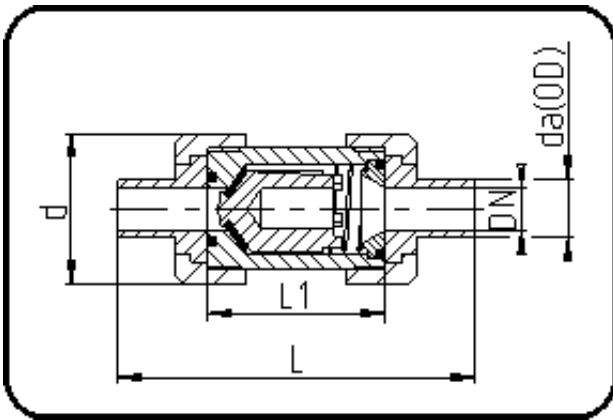


Ventile



Code: 336.15

- Rückschlagventil mit Feder
- FPM-Dichtung
- formgespritzt
- **Stumpf+IR-Schweissung**
- PVDF natur

| Dimension | Code | Detail | Gewicht |
|-----------|----------------|---------------------|---------|
| 32 | 30.336.1532.21 | 32 - SDR21 ISO S-10 | 0.42 |

| | Einheit | Nominale | Tol+ | Tol- |
|--------|---------|----------|------|------|
| da(OD) | mm | 32 | 0.30 | 0.00 |
| L | mm | 151 | 7.50 | 7.50 |
| L1 | mm | 73 | 0.50 | 0.50 |
| DN | mm | 25 | 0.00 | 0.00 |
| s | mm | 2,4 | 0.50 | 0.00 |
| d | mm | 69 | 0.75 | 0.75 |
| da | inch | 1 | 0.00 | 0.00 |