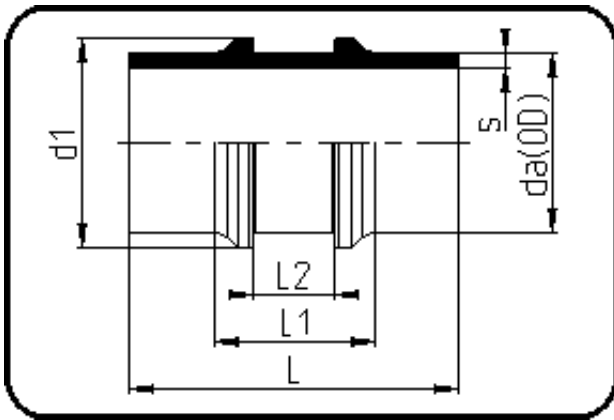


## Fittings



Code: 028

- Festpunkt
- formgespritzt
- Stumpf+IR+HPF-Schweissung
- PVDF natur

Dimension	Code	Detail	Gewicht
63	30.028.0063.21	63X3,0 SDR21 ISO S-10	0.17

	Einheit	Nominale	Tol+	Tol-
da(OD)	mm	63	0.40	0.00
L	mm	120	1.50	1.50
L1	mm	68	0.75	0.75
L2	mm	30,5	0.75	0.00
s	mm	3	0.60	0.00
d1	mm	71	0.00	0.75
da	inch	2	0.00	0.00