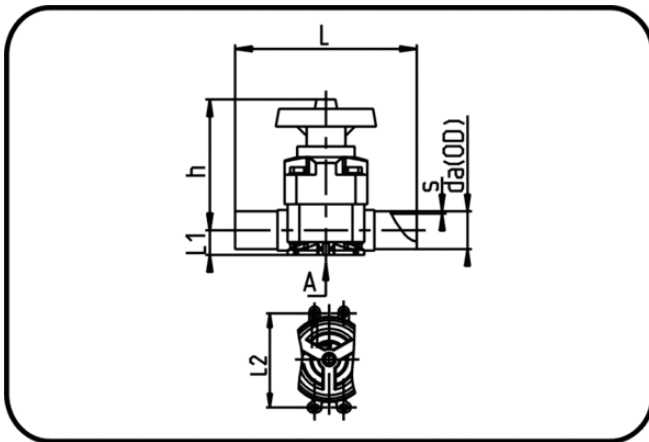


Ventile



Code: 342.1

- **Membranventil**
- handgesteuert
- EPDM/PTFE Membran
- **Stumpf+IR-Schweissung**
- **ECTFE natur**

Dimension	Code	Detail	da(OD) mm	s mm	L mm	L2 mm	h mm	Gewicht
20	40.342.1020.21	20X1,9 SDR21 MOP 10bar	20	1,9	133	24,5	100	0.49
25	40.342.1025.21	25X1,9 SDR21 MOP 10bar	25	1,9	144	24,5	100	0.49
32	40.342.1032.21	32X2,4 SDR21 MOP 10bar	32	2,4	154	24,5	107	0.70
40	40.342.1040.21	40X2,4 SDR21 MOP 10bar	40	2,4	195,5	44	144	1.53
50	40.342.1050.21	50X3,0 SDR21 MOP 10bar	50	3	194	44	144	1.60
63	40.342.1063.21	63X3,0 SDR21 MOP 10bar	63	3	224	44	170	2.35