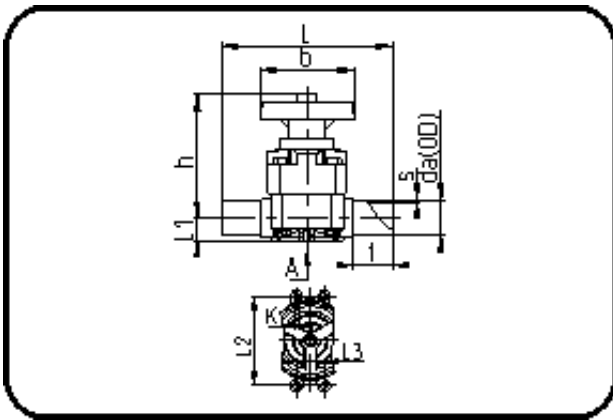


## Ventile



Code: 342.1

- **Membranventil**
- handgesteuert
- EPDM/PTFE Membran
- **Stumpf+IR-Schweissung**
- **ECTFE natur**

Dimension	Code	Detail	Gewicht
20	40.342.1020.21	20X1,9 SDR21 MOP 10bar	0.49

	Einheit	Nominale	Tol+	Tol-
da(OD)	mm	20	0.30	0.00
L	mm	133	3.00	3.00
L1	mm	16,5	0.75	0.75
L2	mm	24,5	0.75	0.75
b	mm	85	1.50	1.50
s	mm	1,9	0.40	0.00
t	mm	36	1.50	1.50
Kv- I	min	72	0.00	0.00
h	mm	100	3.00	3.00
K	mm	M6	0.00	0.00
da	inch	0,5	0.00	0.00