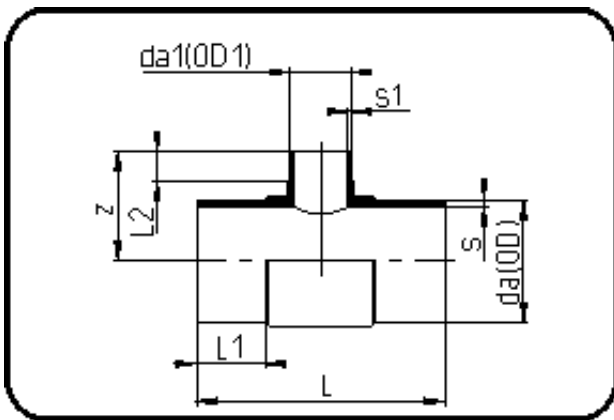


## Kurzschenkelige Fittings



Code: 016

- T-Stück reduziert
- kurze Schenkel
- formgespritzt
- **Stumpfschweissung**
- PPR grau

| Dimension | Code           | Detail               | Gewicht |
|-----------|----------------|----------------------|---------|
| 140/75    | 11.016.1475.11 | 140/75 SDR11 ISO S-5 | 1.92    |

|         | Einheit | Nominale | Tol+ | Tol- |
|---------|---------|----------|------|------|
| da(OD)  | mm      | 140      | 1.30 | 0.00 |
| L       | mm      | 305      | 4.50 | 4.50 |
| L1      | mm      | 54       | 3.75 | 3.75 |
| L2      | mm      | 35       | 1.50 | 1.50 |
| s       | mm      | 12,7     | 1.40 | 0.00 |
| s1      | mm      | 6,8      | 0.80 | 0.00 |
| da(OD1) | mm      | 75       | 0.70 | 0.00 |
| z       | mm      | 130      | 3.00 | 3.00 |